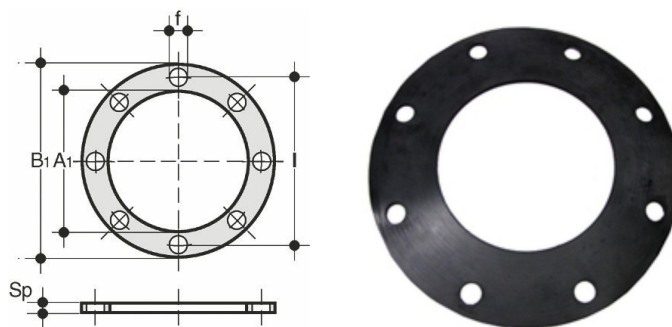


QHV-Y

EPDM-full face pakning

- EPDM-pakning
- Full face for krage i plast
- Full face pakning med bolthull iht. DIN PN 10



Artikkelnr	d	DN	A1	B1	F	l	Sp	U
QHV-Y 020	20	15	17	95	14	65	2.0	4
QHV-Y 025	25	20	22	107	14	76.3	2.0	4
QHV-Y 032	32	25	28	117	14	86.5	2.0	4
QHV-Y 040	40	32	36	142.5	18	101	2.0	4
QHV-Y 050	50	40	45	153.3	18	111	2.0	4
QHV-Y 063	63	50	57	168	18	125.5	2.0	4
QHV-Y 075	75	65	71	187.5	18	145.5	3.0	4
QHV-Y 090	90	80	84	203	18	160	3.0	8
QHV-Y 110	110	100	102	223	18	181	3.0	8
QHV-Y 125	125	110	132	250	18	190	3.0	8
QHV-Y 140	140	125	132	250	18	210	3.0	8
QHV-Y 160	160	150	152	288.5	22	241.5	4.0	8
QHV-Y 200	200	200	192	340	22	295	4.0	8
QHV-Y 225	225	200	215	340	22	295	4.0	8
QHV-Y 250	250	250	238	395	22	350	4.0	12
QHV-Y 280	280	250	265	395	22	350	4.0	12
QHV-Y 315	315	300	290	462	22	400	4.0	12
QHV-Y 350	355	350	337	500	22	460	2.0	16
QHV-Y 400	400	400	384	555	25	515	2.0	16